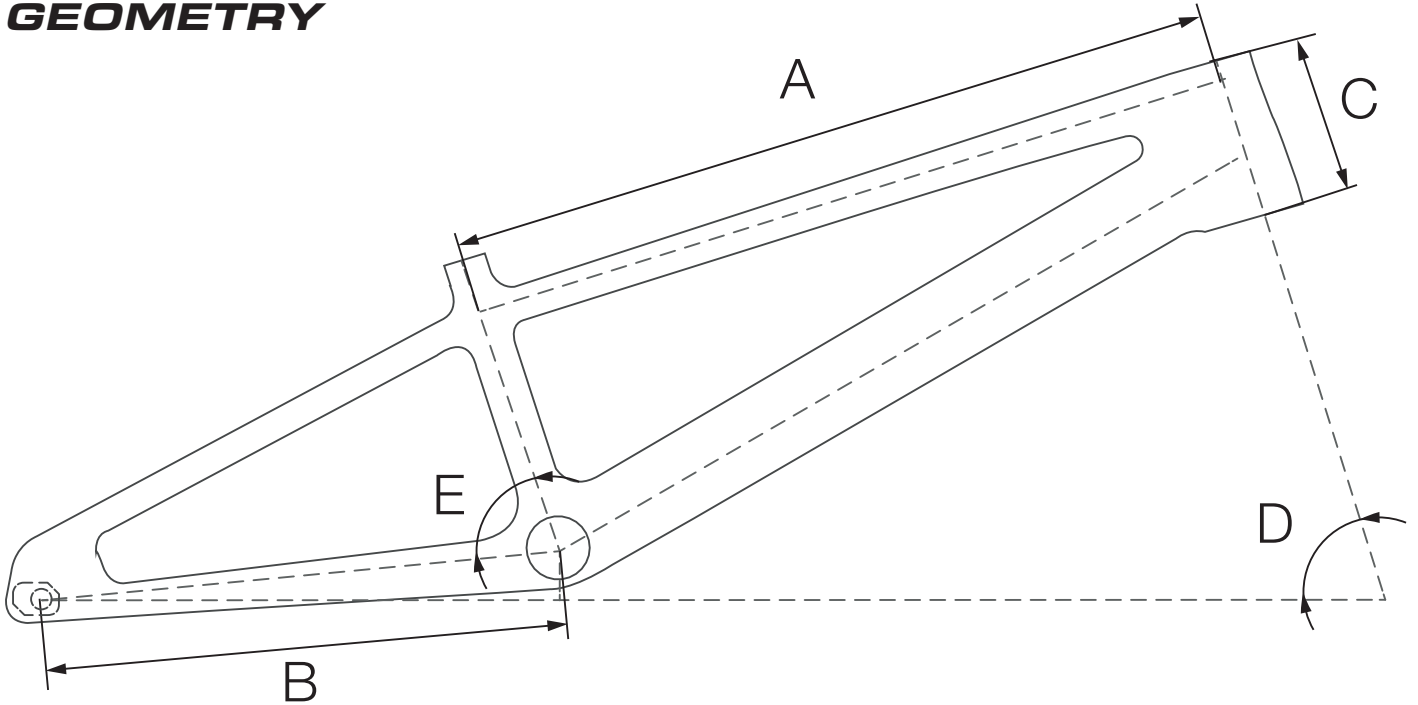


- PREMIUM -
JOSH
 DUTCH DESIGN & ENGINEERING
 - SINCE 2007 -
 ULTIMATE

GEOMETRY



	A - Short	A - Long	B - Short	B - Long	C	D	E
XXL	570mm	578mm	386mm	394mm	120mm	74	72
XL	548mm	556mm	368mm	376mm	120mm	74	72
CRUISER	562mm	570mm	386mm	394mm	120mm	74	74

FRAME STANDARDS

Bottom Bracket	PressFit BB86.5X41
Brake mount	Flat mount
Brake Rotor	120MM
Headset	Integrated 42/52 Tapered
Max Chainring	48t
Rear axle	15x140MM M14X1
Seatpost	27.2MM
Seatpost clamp	31.8MM
Wheel size	Max 20x1.75"